



KIT LUBE



DISPENSERS



PUMPS



METERS



NOZZLE METERS



NOZZLES

K33 / K44

FEATURES

- READY TO USE
- INDUSTRIAL DESIGN
- NO BATTERY NEEDED
- EASY TO RESET
- VERSATILE

The PIUSI K33-K44 are the best seller mechanical meters in this market. Available in both three or four digits, these nutating disk meters can be installed in all four flow directions.

PERFORMANCE

up to
120 L/MIN
(up to 32 gpm)
FLOW RATE

± 1 %

ACCURACY

0,2%

REPEATABILITY

up to
30BAR

BURSTING PRESSURE



K33

K44

PACKAGING

CODE	WEIGHT		PACKAGING			
	KG	LBS	MM	INCH	PCS/PALLET	PCS/BOX
K33 METER						
000550160	0,6	1,3	180X180X170		-	1
000551160	0,6	1,3	180X180X170		-	1
000557000	0,6	1,3	180X180X170		-	1
000558000	0,6	1,3	180X180X170		-	1
K44 METER						
000560160	0,6	1,3	180X180X170		-	1
000561020	0,6	1,3	180X180X170		-	1
000562020	0,6	1,3	180X180X170		-	1
000563020	0,6	1,3	180X180X170		-	1



WASTE OIL EQUIPMENTS



FILTRATION



FLUID MONITORING



HOSE REELS



ACCESSORIES



MERCHANDISE

INDEX



AIR



ANTIFREEZE



AdBlue®



BIODIESEL



DIESEL



FOOD



GASOLINE



GREASE



KEROSENE



OIL

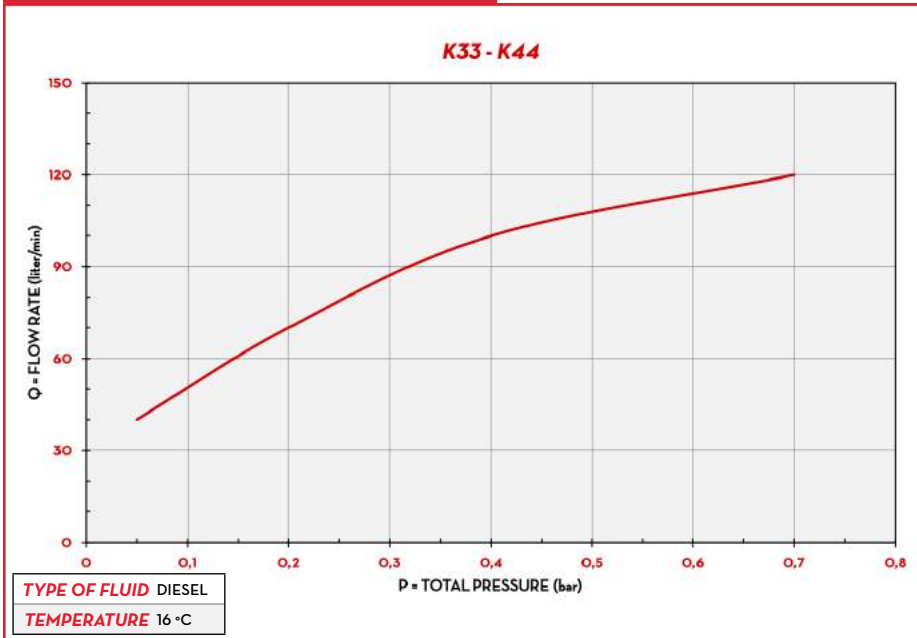


WATER



WINDSCREEN

CHARTS



IN THE BOX

- K33 - K44 METER
- INSTRUCTION MANUAL

DETAILS



NUTATING DISK SYSTEM

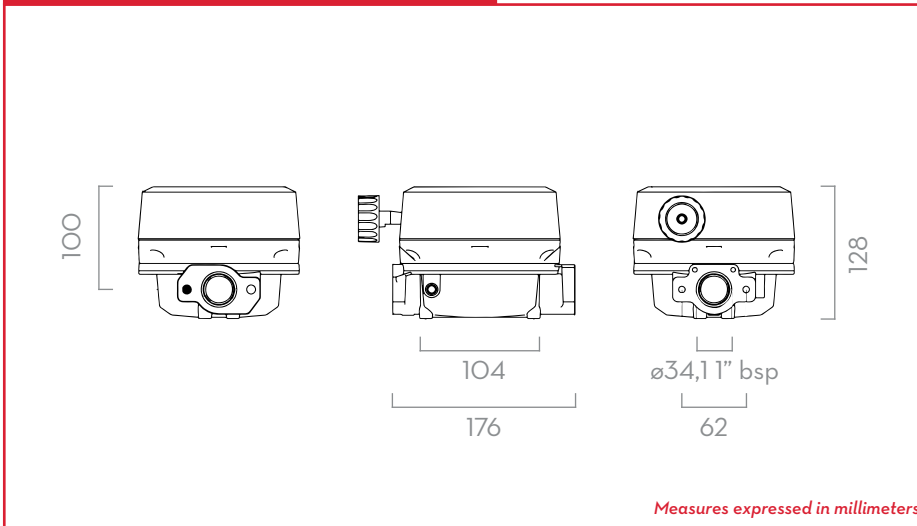


4 FLOW DIRECTIONS



MECHANICAL COUNTER

DIMENSIONS



MATERIALS

- NUTATING DISK CHAMBER: TECHNOPYLIMER
- BODY: ALLUMINIUM

TECHNICAL DATA

CODE	DESCRIPTION	FLUIDS TYPE	FLOW DIRECTION	FLOW-RATE		WORKING PRESSURE		PULSER	INLET OUTLET
				L/MIN	GPM	BAR	PSI		
K33 METER									
000550160	K33 VER. A	○	←	20-120	5-32	10	142	YES	1" BSP
000551160	K33 VER. B	○	↑	20-120	5-32	10	142	YES	1" BSP
000557000	K33 VER. C	○	↓	20-120	5-32	10	142	YES	1" BSP
000558000	K33 VER. D	○	→	20-120	5-32	10	142	YES	1" BSP
K44 METER									
000560160	K44 VER. A	○	←	20-120	5-32	10	142	YES	1" BSP
000561020	K44 VER. B	○	↑	20-120	5-32	10	142	YES	1" BSP
000562020	K44 VER. C	○	↓	20-120	5-32	10	142	YES	1" BSP
000563020	K44 VER. D	○	→	20-120	5-32	10	142	YES	1" BSP

UPON REQUEST AVAILABLE IN NPTF VERSION AND DISPLAY IN GALLON/QUARTER OR PINT

K33 / K44