



FUEL MANAGEMENT SYSTEMS



DISPENSERS



KITS



PUMPS



METERS



NOZZLES

PANTHER EX 56

FEATURES

- HIGH FLOW RATE
- HEAVY DUTY
- CONTINUOUS DUTY
- THERMAL PROTECTION
- UL VERSION AVAILABLE
- REMOVABLE PUMP FEET
- MAGNETIC SWITCH

The new PANTHER EX AC pump series by PIUSI, designed for Heavy Duty applications, delivers superior performance and uncompromising reliability. Resulting from advanced research and development, this pump sets new standards with a flow rate of 56 l/min, the highest in its category. Capable of maintaining high performance even at high pressures, the PANTHER EX is ideal for various tank configurations and accessories, ensuring efficiency and versatility in every application.

PERFORMANCE

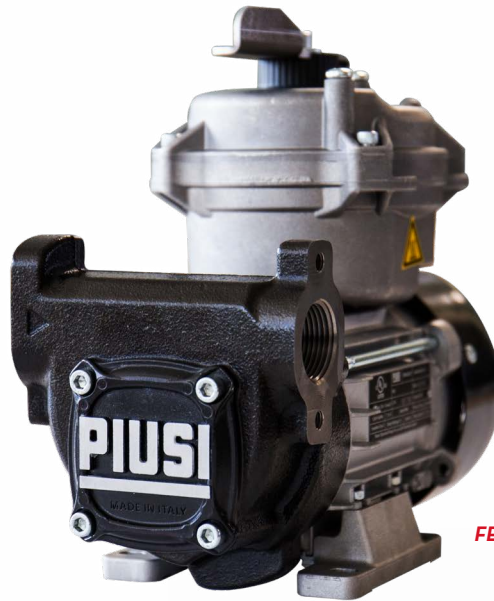
UP TO

56 L/MIN

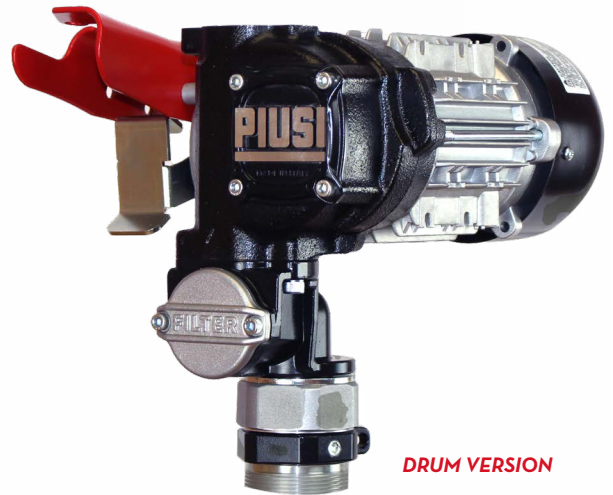
FLOW RATE

230V/50HZ

VOLTAGE



FEET VERSION



DRUM VERSION





Pump only

OUR PUMPS COMPLIES WITH THE FOLLOWING MARKING ATEX/IECEx

II	2	G	Ex	d	IIA	T4	Gb
GROUP	CATEGORY	TYPE OF EXPLOSIVE ATMOSPHERE	PERMANENT PREFIX	PROTECTION METHOD	GAS GLASS	TEMPERATURE CLASS	EQUIPMENT PROTECTION LEVEL

PACKAGING

CODE	WEIGHT		PACKAGING			N. BOX / EUROPALET	
	KG	LBS	MM	INCH	PCS/BOX		
FO0580000	12,4	24	40X24X30	15,7X9,4X11,8	1	-	-
FO0580010	12,4	24	40X24X30	15,7X9,4X11,8	1	-	-





FILTRATION



TANK MONITORING



HOSE REEL



ACCESSORIES



MERCHANDISE

PIUSI



ANY BIODIESEL



AIR



ANTIFREEZE



AdBlue®



BIODIESEL



DIESEL



FOOD



GASOLINE



GREASE



KEROSENE



OIL



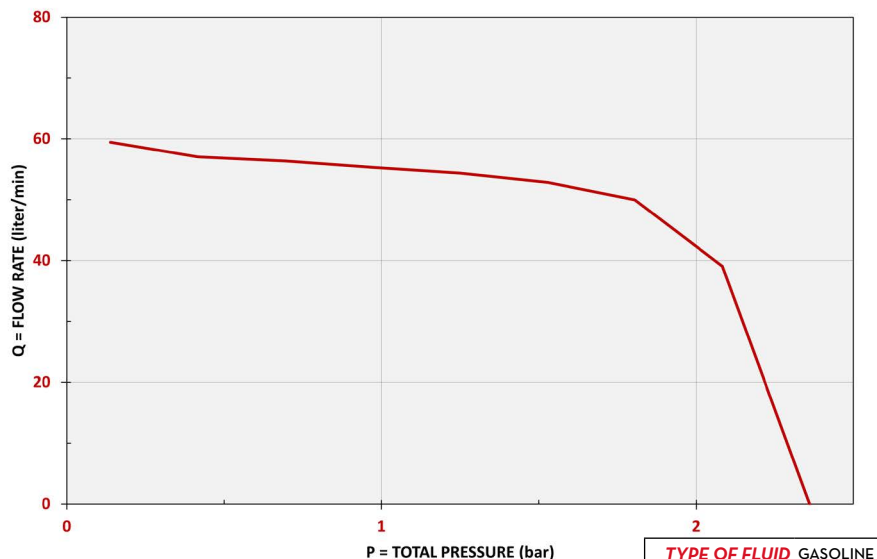
WATER



WINDSCREEN

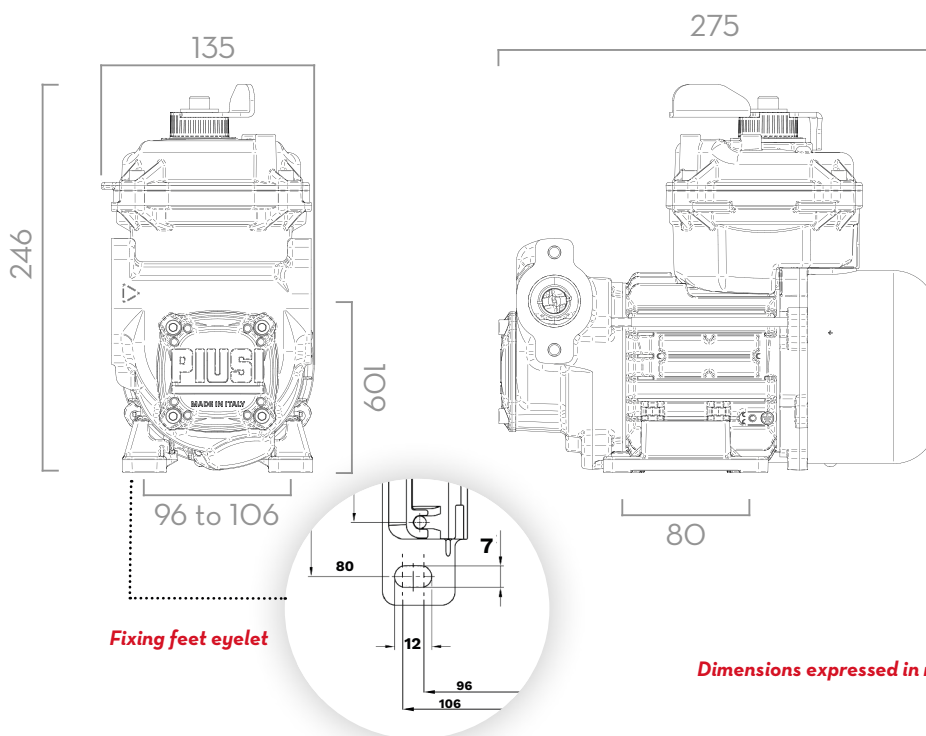
CHART

PANTHER EX 56



TYPE OF FLUID GASOLINE
TEMPERATURE 20°C

DIMENSIONS



IN THE BOX

PANTHER EX 56 - DRUM VERSION

- PANTHER EX 56 - DRUM
- NOZZLE HOLDER
- DRUM CONNECTOR
- INSTRUCTION MANUAL

PANTHER EX 56 - FEET VERSION

- PANTHER EX 56 - FEET
- NON-MOUNTED FEET
- INSTRUCTION MANUAL

DETAILS



ON/OFF SWITCH



VANE ROTOR



BYPASS VALVE

MATERIALS

- BODY: CAST IRON
- ROTOR: SINTERED STEEL
- VANES: TECHNOPOLYMER
- SEAL: VITON
- SHAFT: STEEL

TECHNICAL DATA

CODE	DESCRIPTION	FLUIDS TYPE	FLOW RATE		VOLTAGE			DUTY CICLE	RPM	INLET		OUTLET	
			L/MIN	GPM	AC VOLT/HZ	POWER WATT	AMP. MAX.			BSP	BSP		
FO0580000	(EX) PANTHER EX 56 230V 50HZ FEET -PUMP ONLY-	D G K	56	14,7	230V/50HZ	500	2.3	S1	2800	1"	1"		
FO0580010	(EX) PANTHER EX 56 230V 50HZ DRUM -PUMP ONLY-	D G K	56	14,7	230V/50HZ	500	2.3	S1	2800	1"	1"		